

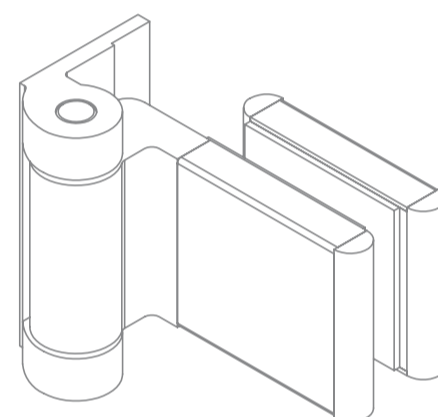


Interior door hardware exclusively designed  
by Arch.Stefano Cardini in Milan  
No glass notches

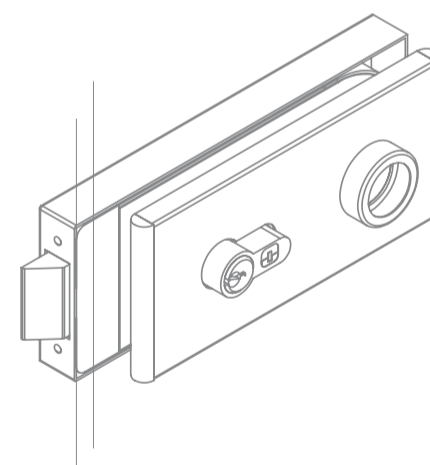
Glass Thickness allowed 8,10,5+5.0.76mm  
Maximum door weight 45kg (using two hinges)  
Maximum door width 900mm

**Finishes available**

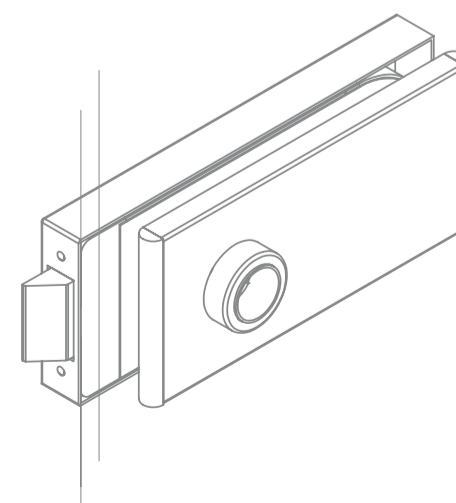
611  
810  
812  
710  
712



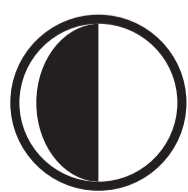
mod. 13190



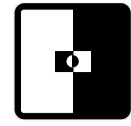
mod. 15190



mod. 15192



# CARDINI



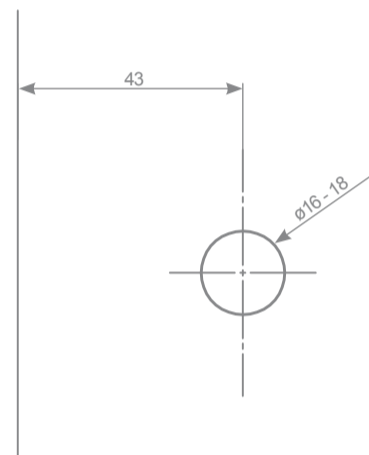
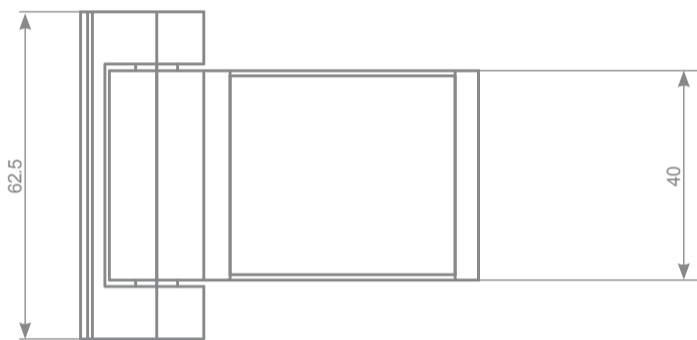
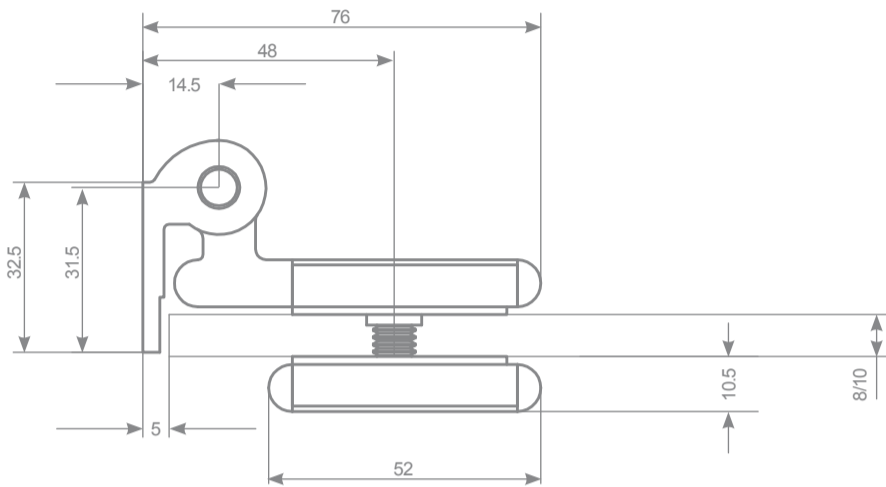
CASMA

Genuine  
European  
Manufacturers




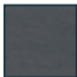




Interior door hardware exclusively  
by Arch.Stefano Cardini in Milan  
No glass notches

Glass Thickness allowed 8,10,5+5.0.76mm  
Maximum door weight 45kg (using two hinges)  
Maximum door width 900mm



## Finishes

### Aluminium

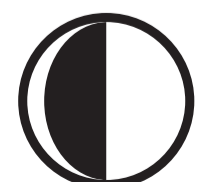
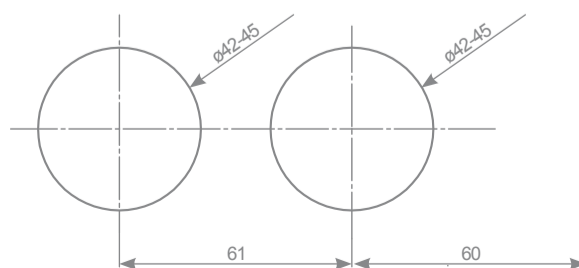
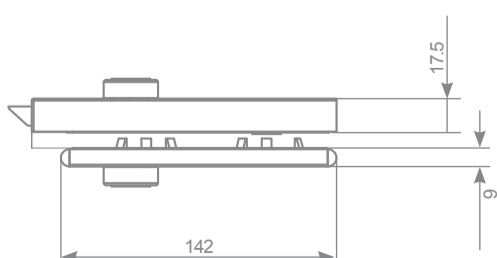
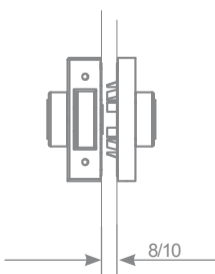
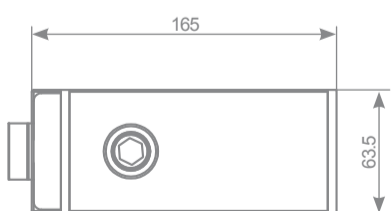
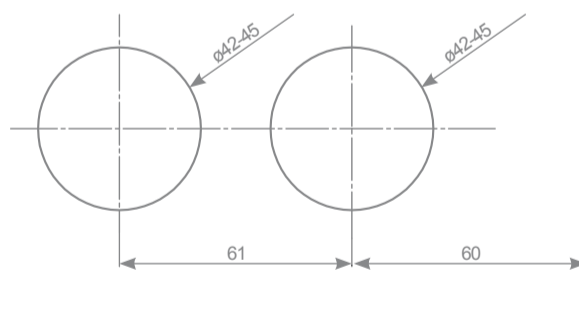
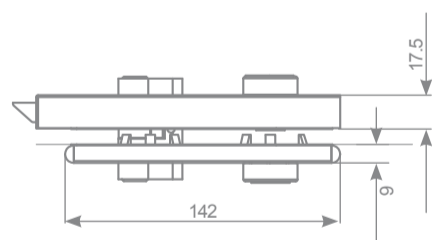
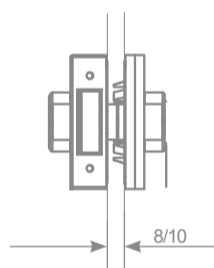
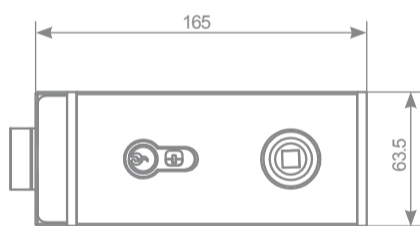
-  611
-  612
-  613
-  614
-  615
-  620
-  633
-  680
-  RAL 9010

### Brass

-  710
-  711
-  712
-  713

### Stainless steel

-  810
-  812



MASCA